

DO NOT USE FOR CONSTRUCTION UNTIL SEAL IS SIGNED
 SUBCONSULTANT:

SEAL:

DO NOT USE FOR CONSTRUCTION UNTIL SEAL IS SIGNED
 CLIENT:

Alberta Health Services
 Calgary Health Region

PROJECT:

HIGH RIVER STORAGE GARAGE
 580 B AVENUE SW, HIGH RIVER, ALBERTA

NOTES:
 1. DO NOT SCALE DRAWINGS.
 2. REPORT ANY DISCREPANCIES IN THE DRAWINGS TO THE ARCHITECT.
 3. THESE DOCUMENTS HAVE BEEN PREPARED SOLELY FOR THE PARTY WITH WHICH THE DESIGNER IS IN CONTRACT WITH. NO PART OF THESE DOCUMENTS MAY BE REPRODUCED WITHOUT EXPRESS WRITTEN CONSENT OF THE PARTIES INVOLVED.

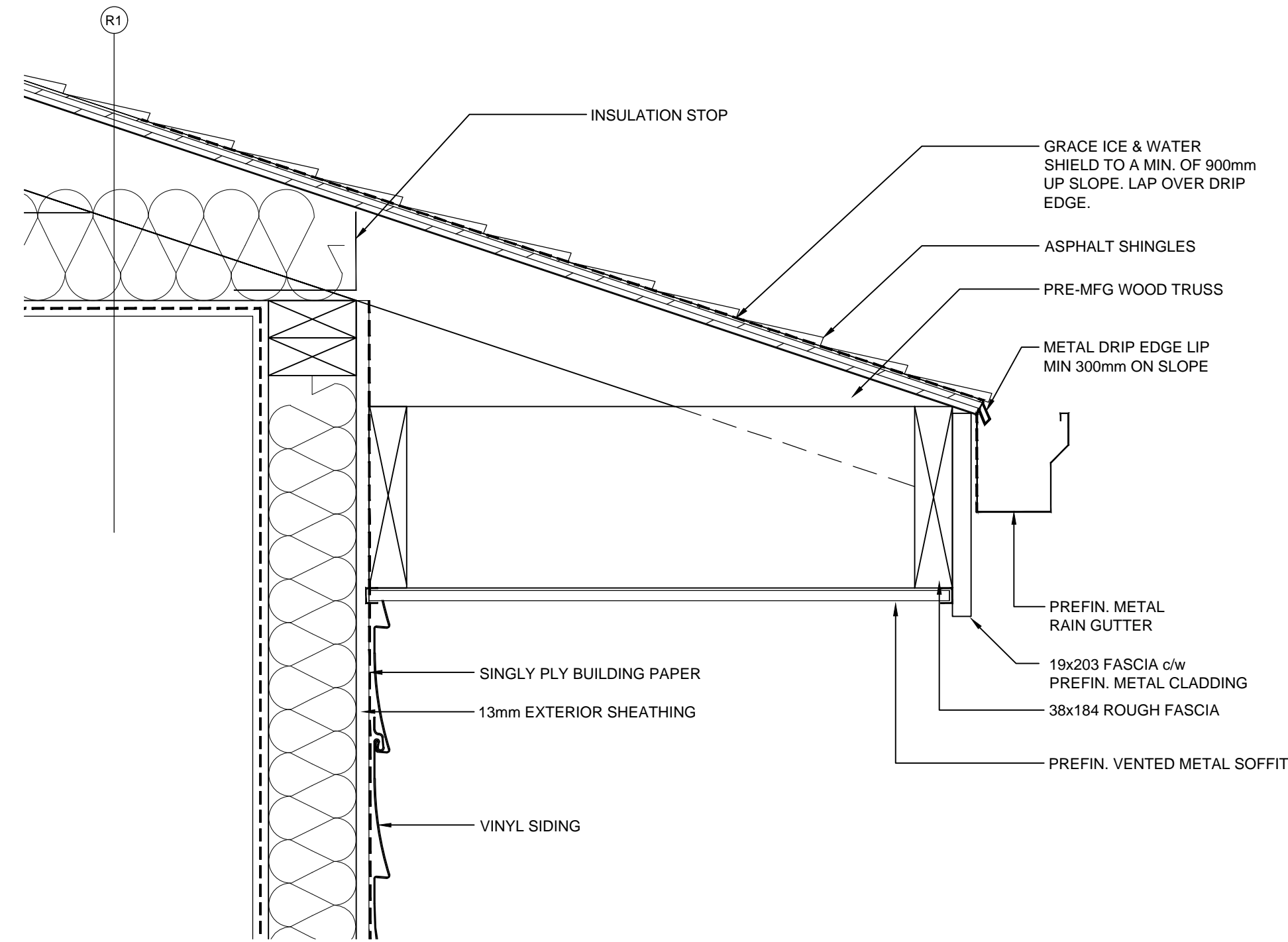
REVISIONS:

NO.	DESCRIPTION	DATE
1	ISSUED FOR BUILDING PERMIT	04/01/09

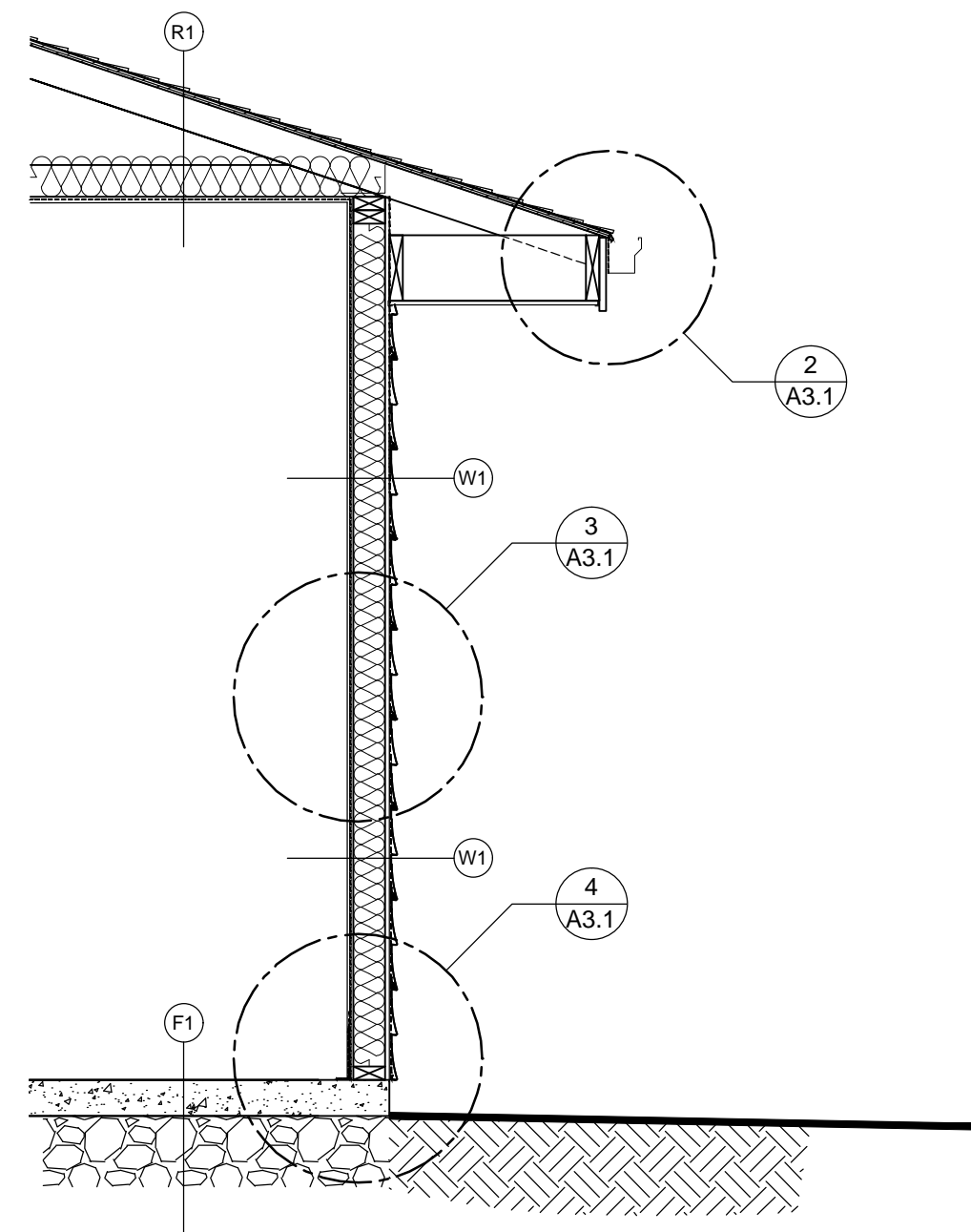
DWG NO.

SECTIONS & DETAILS

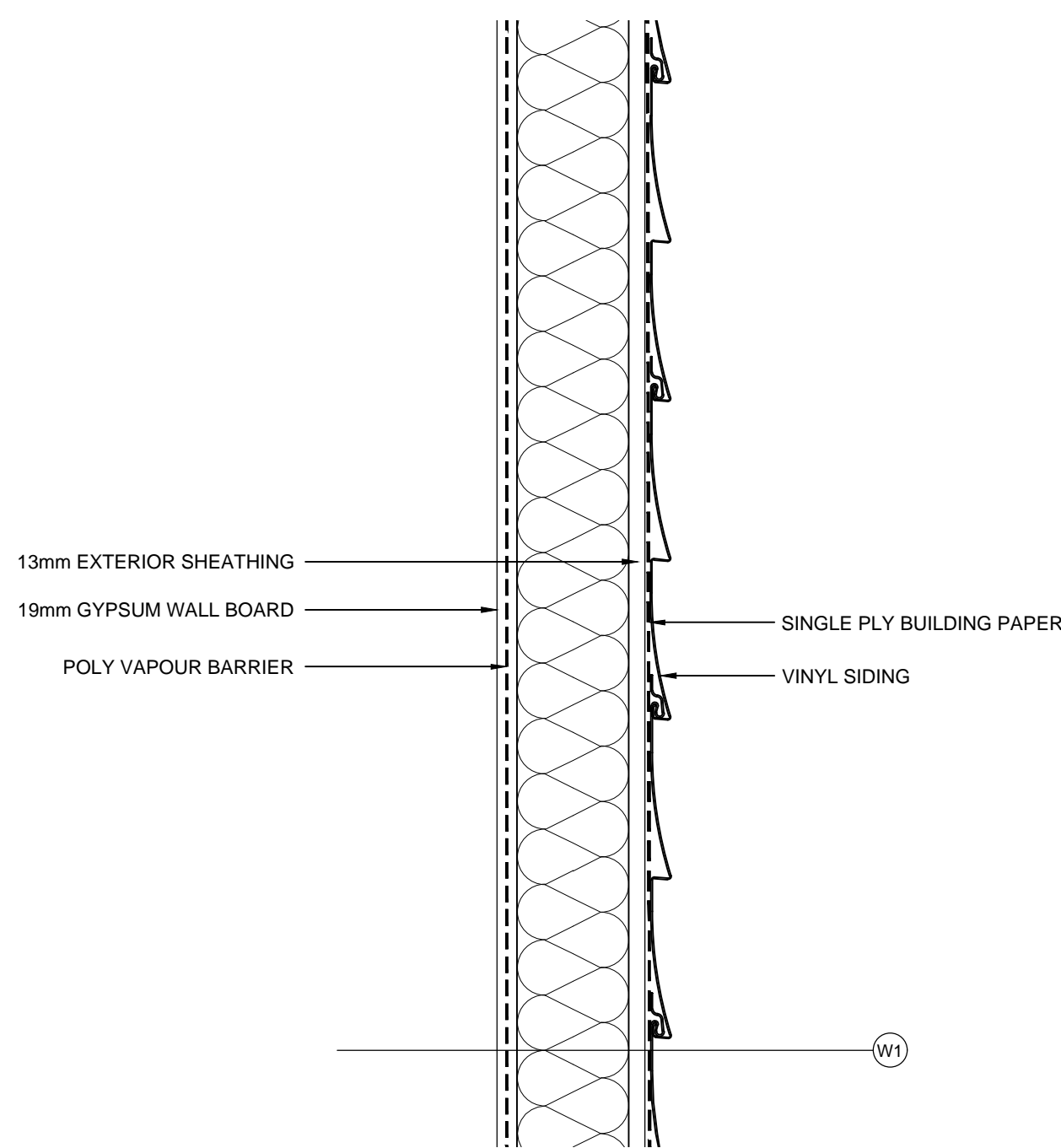
FILE NAME:	AS SHOWN	DWG NO.
SCALE:	03/11/09	A3.1
DATE:	WLS	
DRAWN BY:	SMM	
CHECKED BY:	0005-09-01	
PROJECT NO.:	CHR#	



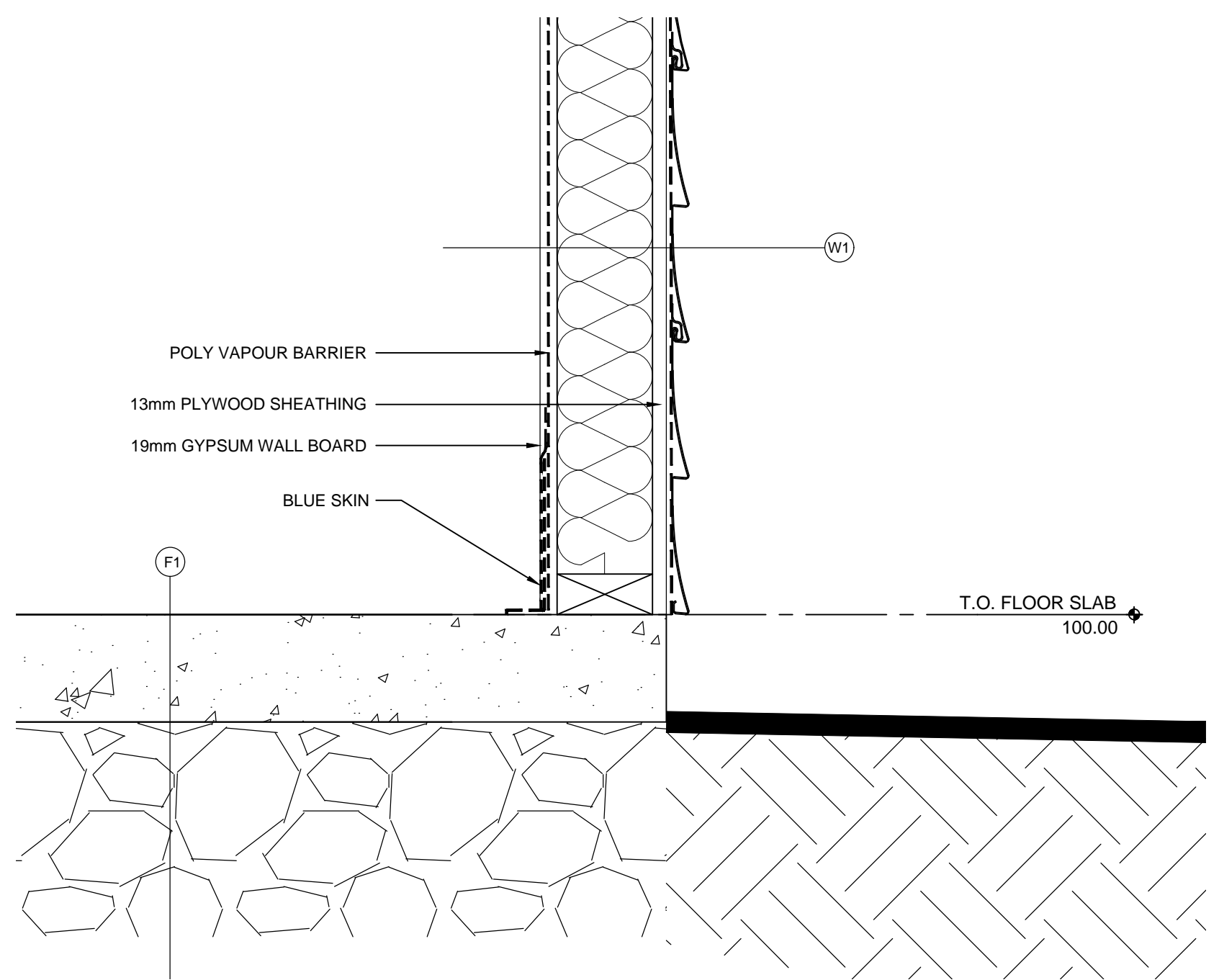
2 SOFFIT DETAIL
 A3.1 1:5



1 WALL SECTION
 A3.1 1:20



3 WALL DETAIL
 A3.1 1:5



4 WALL DETAIL
 A3.1 1:5